



AUTOMAZIONE ACCESSI
MADE IN ITALY

A background image showing several people wearing face masks and caps, suggesting a public space during a health crisis.

PROTECT YOUR CUSTOMERS AND YOUR ACTIVITY



VDS



AUTOMATIC TURNSTILE RIKI-20

The Covid 19 epidemic forces us to redesign spaces and the times for the use of common spaces that are a supermarket, an office or a canteen.



RIKI-20 AUTOMATIC TURNSTILE



We are happy to present you our new product, the automatic turnstile **RIKI-20**, with the objective to provide a useful, inexpensive and versatile product that it is also a small contribution the restart of the economy.

> The **RIKI-20** automatic turnstile , with a simple and elegant design, can be easily and quickly installed and ensures pedestrian transit control in supermarkets, in gyms, offices and wherever regulation of the pedestrian transit is needed.

> The **RIKI-20** automatic turnstile is designed to work with two instruments which are now indispensable in public businesses:

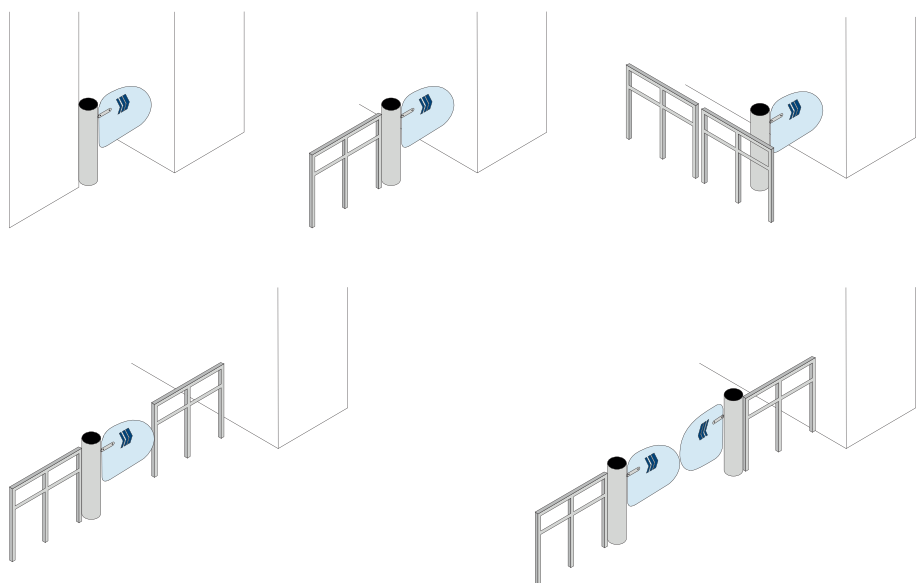
HI-SECURITY, a tablet that allows recognition of the use of the mask and the detection of body temperature;

HI-COUNTER, a system that allows you to regulate the number of entrances and manage the maximum capacity.

RIKI-20 AUTOMATIC TURNSTILE

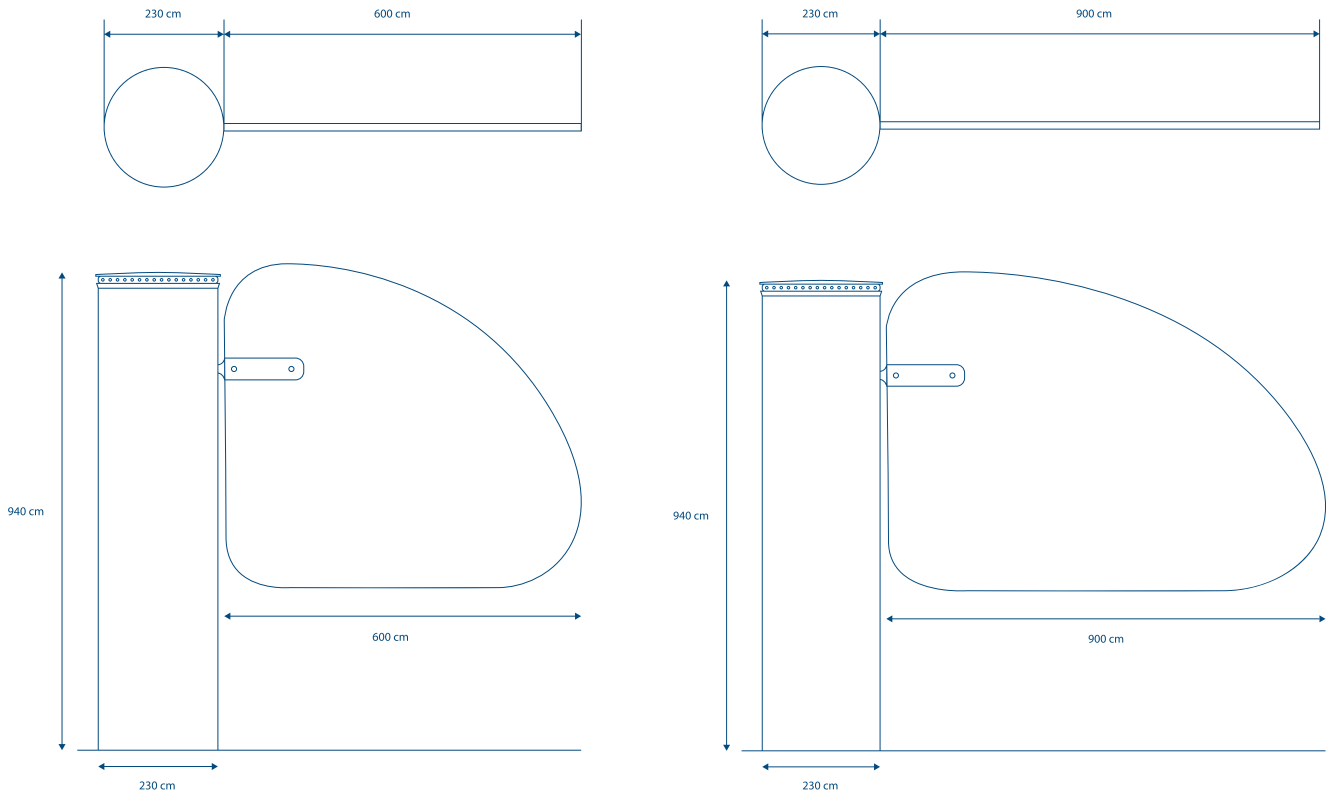
- **AISI 304** stainless steel structure and polycarbonate leaf;
- Integrated luminous crown: indicates suitability for entry and movement of the wing (red: stop - green: okay);
- Integration with access control: people counter system, temperature measurement system, detects mask. The opening of the leaf can also be activated by a card reader, by photocells or other control device;
- The system can be interfaced with other automatic opening systems;
- The leaf can be closed automatically or activated by a device command (also via radio);
- The release maneuver can be carried out using a button or a key;
- Polycarbonate leaf is available in 2 sizes 600mm-900mm;
- The system can work with buffer batteries allowing operation even in the event of a blackout;
- The system is equipped with an amperometric safety device controlled by an encoder: if you accidentally hit the leaf , it stops, goes back and then performs a slow maneuver to check for the absence of obstacles.

EXAMPLES OF APPLICATIONS



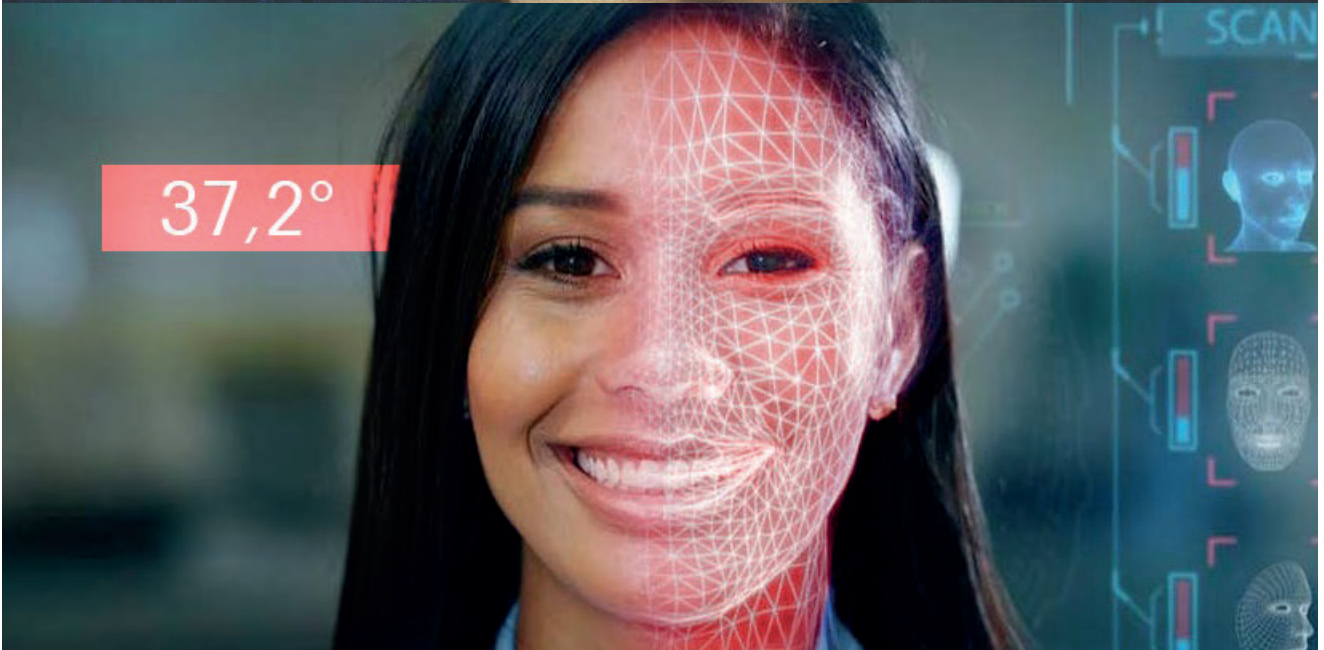
RIKI-20 AUTOMATIC TURNSTILE

DIMENSIONS



TECHNICAL DATA

Degree of protection	IP44
Supply	120 / 230 V AC
Motor power supply	24 DC
Absorption (standby)	350 mA
Power	120 W
Operating temp. (° C)	-20 ÷ +55
Weight	25 kg
Opening time	2 - 3 seconds



HI-SECURITY

BODY TEMPERATURE DETECTION

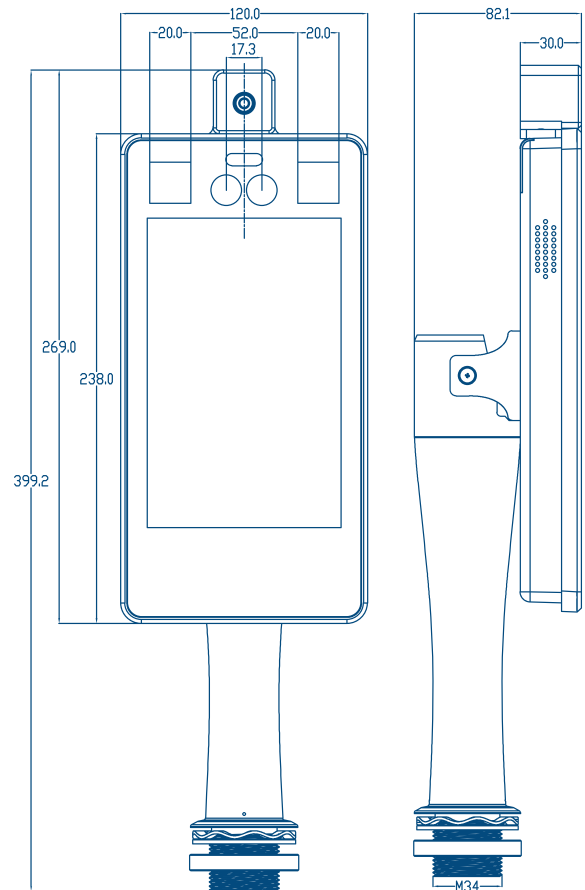
The RIKI-20 motorized turnstile is designed for use with the device **HI-SECURITY** that allows face recognition, detection body temperature, detection of use of the mask.

TECHNICAL FEATURES VIDEO

Camera resolution: 2 Mega Pixels
Image sensor: 1 / 2.8 "SONY IMX327
Minimum illumination: 0.01 Lux
Illumination: infrared, white light
Shutter: AUTO - 1/50 (1/60) - 1/100000 sec
Other functions: AWB - BLC - WDR - DNR
Image settings: Exposure, gain contrast, saturation, compensation face exposure
Video compression: H.264 - H.265
Monitor: 7 "IPS HD 1024x600
Day / night management: self-adaptive

MEASUREMENT OF THE BODY TEMPERATURE

Measuring point: Front
Optimal reading distance: 25-60cm
Error margin: ± 0.3 ° C
Reading time: ≤ 1 sec
Detection range: 34-42 ° C
Optimal ambient temperature: 15-30 ° C



HI-SECURITY

BODY TEMPERATURE DETECTION

IDENTIFICATION

Work mode: Online, offline, auto
Recognition data: Portrait, mask
Detection: Biometric
Face recognition accuracy: 99.5%
Recognition distance: 0.3-1.5m
Recognition time: ≤1sec
Faces database: 15000 faces
Face import: Single, in batch, in real time
Recognition area: Adjustable, on the whole image
Image upload: TCP, FTP, HTTP, with API commands

SAVING IMAGES

Image format: JPEG
Image saving: Partial, half-body, whole body
Local memory: Up to 100000 events
Additional memory: Supports 128Gb TF card

TYPE CLASSIFICATIONS

Type of person: Blacklist, white list, casual user
Output: relay
Event type: video detection

ALARMS

Types of alarm: Alarm on display, voice alarm, alarm on mobile app.
Types of event: Abnormal temperature, lack template, blacklist, not recognized

NETWORK CHARACTERISTICS

Supported protocols: IPv4, TCP / IP, NTP, FTP, http
Protocols: ONVIF, RTSP
Security: Access through user name and password
Event notifications: Saving to TF card, FTP upload, alarm output, Wiegand output, voice notification
Firmware: Possibility of remote upgrade



HI-SECURITY

BODY TEMPERATURE DETECTION

COMMUNICATION INTERFACES

Network: Rj45 10 / 100Mbps

Alarm I / O: 2 inputs, 2 outputs

Serial: RS485 interface

USB: Supported

Wiegand: Wiegand 26, 34, 66 protocol supported

Reset: External reset button

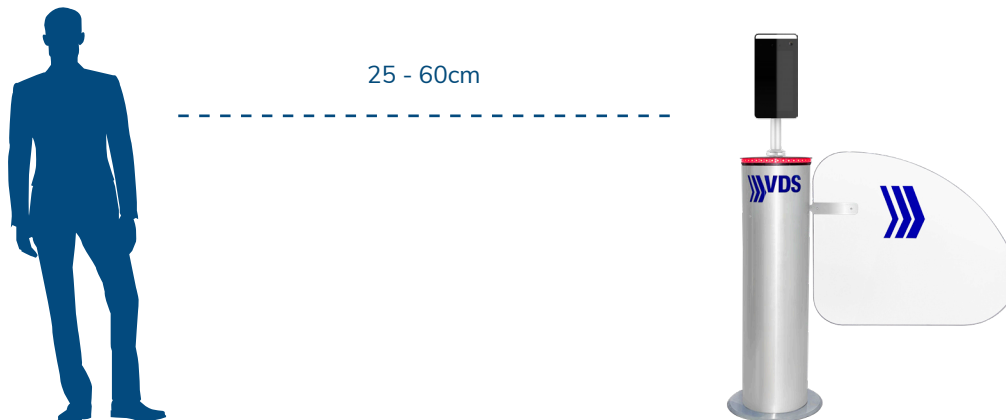
CONSTRUCTION FEATURES

Protection degree: IP66

Power supply: 12VCC, 12W

Working temperature: -20 - + 60 ° C

Screen size: 269x120x30mm



**TEMPERATURE DETECTION DISTANCE
UP TO 60 CENTIMETERS**

HI-COUNTER

ATTENDANCE CONTROL

The use of the RIKI-20 motorized turnstile with the **HI-COUNTER** people counter system allows you to manage the entrance of a limited number of people without the presence of personnel. The luminous crown will act as a traffic light.





VDS AUTOMAZIONI SRL
Via Circolare pip n. 10
65010 Santa Teresa di Spoltore (PESCARA) - Italy
P.IVA 02269220683

+39 085 4971946
info@vdsautomation.com
www.vdsautomation.com